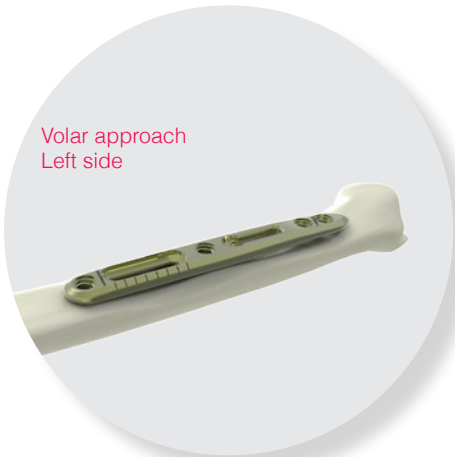


ALIANS ULNA : SURGICAL TECHNIQUE



1. Position the plate on the most distal part of the ulna making sure that the "distal-proximal" marks are correctly matched. The approach used and positioning of the plate may be lateral, dorsal or palmar (volar).



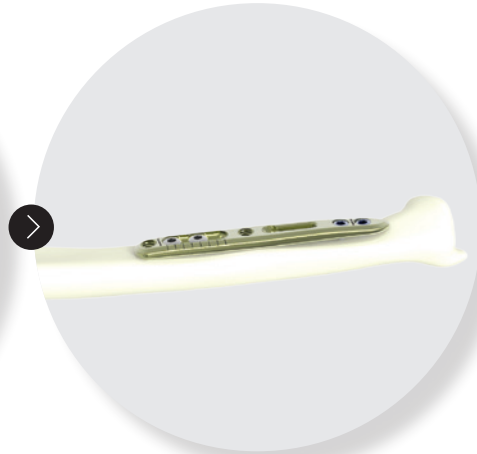
2. Adjust and secure the plate onto the distal part of the ulna using two locking screws (SOT3.5Lxx). For this purpose, drill (ANC089C) and directly read the drilling depth on the guide gauge (ANC186).



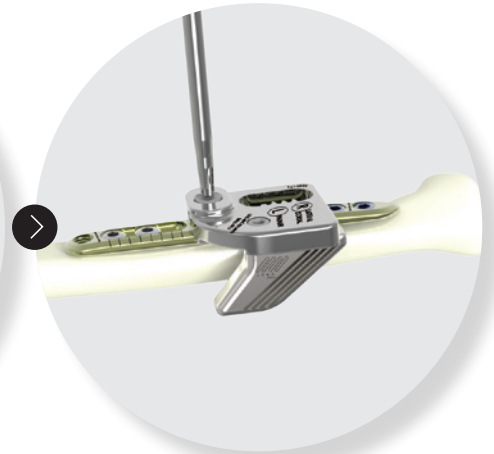
3. To make the insertion of the SOT3.5Lxx locking screws easier, widen the drilling made in the first cortex using the hand reamer (ANC463). Repeat these procedures with the second locking screw. Insert the appropriate screws. *Remark: perform reaming for the insertion of the two following locking screws (see step 15).*



4. Position the double guide gauge (ANC319) on the proximal oblong slot. Check the positioning of the double guide gauge thanks to the "PROXIMAL" and "DISTAL" marks. Perform the two drillings (ANC089C) successively, then insert the 2 cortical screws (CT3.5Lxx) using a bicortical fixation method and tighten them.



4bis. The 2 cortical screws (CT3.5Lxx) help keep both proximal and distal parts perfectly aligned after the resection has been performed.



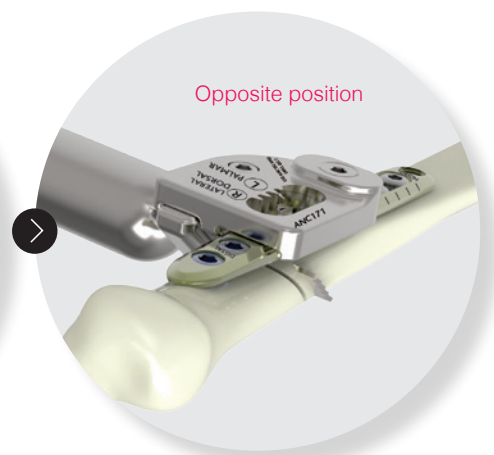
5. Assemble the cutting and compression device (block + cutting guide) and fix it onto the plate (see § "Assembling").



6. Screw the drill guide (ANC192) onto the block and perform bicortical drilling (ANC089C) to enable the subsequent insertion of the handle for compression.

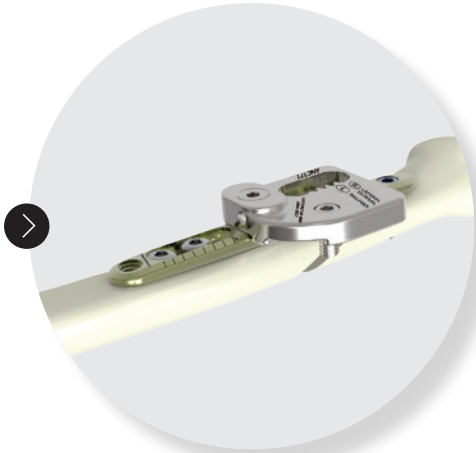


7. Perform the two cuts necessary for the ulnar shortening osteotomy using the cutting guide :
- at graduation 0
- at the graduation corresponding to the required resection.

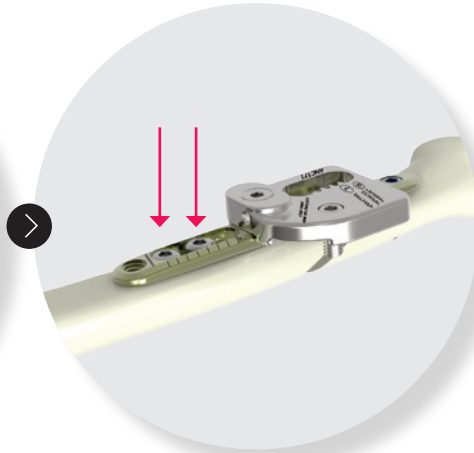


8. The resection is thus made by two oblique saw cuts.

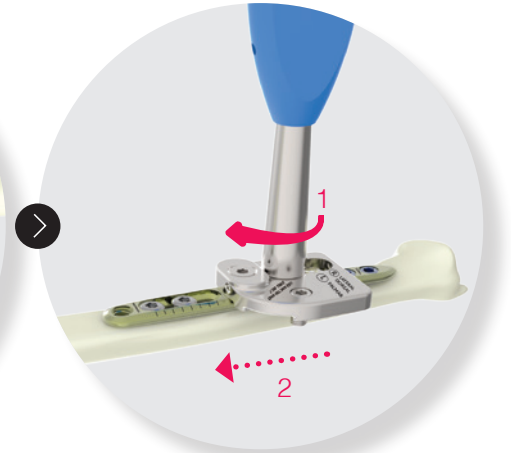
ALIANS ULNA : SURGICAL TECHNIQUE



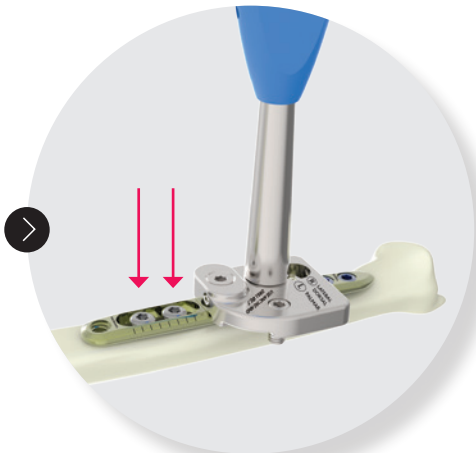
9. Remove the cutting guide to pull out the resected bone fragment.



10. Slightly loosen the two cortical screws (CT3.5Lxx) in the oblong slot so that the plate may be slid.



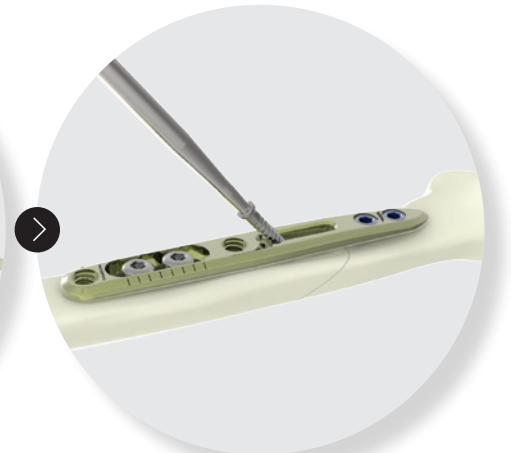
11. Insert the handle for compression (ANC170) through the drilling performed at step 6, and into the rack-and-pinion section of the block. Rotate the instrument (1) to perform compression of the osteotomy site (2).



12. While maintaining the compression, tighten up the cortical screws (CT3.5Lxx) into the proximal oblong slot. Compression level can be checked thanks to the graduations.



13. To maintain the compression, insert the $\varnothing 2.8$ mm cortical screw (CT2.8Lxx) in the pre-angled hole. For this purpose, drill (ANC088) then directly read the drilling depth on the guide gauge (ANC450).



14. Insert the CT2.8Lxx cortical screw using the appropriate screwdriver (ANC082).



15. Complete the procedure by inserting the last 2 locking screws (SOT3.5Lxx) into the proximal part of the plate. Do not forget to use the reamer ANC463 after the drill.

